

PARTS CATALOG

Paper Deck-Q1

Canon

Nov 13 2003

PREFACE

This Parts Catalog contains listings of parts used

Diagrams are provided with the listings to aid the service technician in identifying clearly, the item to be ordered.

Whenever ordering parts, consult this Parts Catalog for all of the information pertaining to each item. Be sure to include, in the Parts Request, the full item description, the item part number, and the quantity.

COPYRIGHT (C) 1999 CANON INC.

Use of this manual should be strictly supervised to avoid disclosure of confidential information.

Contents

Parts List Index

Paper Deck-Q1	1-1
---------------------	-----

Paper Deck-Q1

RA	ASSEMBLY LOCATION DIAGRAM	2-1
R01	MOUNTING HARDWARE	2-2
R10	EXTERNAL COVERS, PANELS, ETC.	2-4
R11	INTERNAL COMPONENTS	2-6
R30	PAPER STOCK ASSEMBLY	2-9
R40	PAPER PICK-UP ASSEMBLY	2-12
RB	LIST OF CONNECTORS	2-16

NUMERICAL INDEX

Paper Deck-Q1

PARTS NUMBER	FIGURE & KEY NO.	PARTS NUMBER	FIGURE & KEY NO.	PARTS NUMBER	FIGURE & KEY NO.
FA6-7751-000	R11 - 1	FB4-4874-000	R30 - 21	FF5-6157-020	R40 - 28
FA6-8257-000	R30 - 2	FB4-4877-000	R11 - 7	FF5-6160-000	R30 - 26
FA9-2112-000	R40 - 1	FB4-4878-000	R11 - 8	FF5-6161-000	R30 - 27
FB2-7702-000	R40 - 62	FB4-4882-000	R30 - 22	FF5-6171-000	R30 - 28
FB2-7720-000	R40 - 3	FB4-4887-000	R40 - 59	FF5-6338-000	R40 - 27
FB2-7721-000	R40 - 4	FB4-4894-000	R40 - 60	FF5-7529-000	R40 - 29
FB2-7755-000	R40 - 6	FB4-4898-000	R40 - 24	FF5-7530-000	R40 - 30
FB2-7777-020	R40 - 7	FB4-4899-000	R40 - 25	FF5-7532-000	R40 - 31
FB2-9248-000	R30 - 4	FB4-4919-000	R01 - 3	FF5-7535-000	R11 - 11
FB3-9188-020	R40 - 8	FB4-4928-000	R30 - 23	FF5-7539-000	R40 - 32
FB3-9192-020	R40 - 9	FB4-4929-000	R11 - 10	FF5-7540-000	R40 - 63
FB3-9193-020	R40 - 10	FB4-4932-000	R01 - 5	FF5-7541-000	R40 - 33
FB3-9195-020	R40 - 11	FB4-4933-000	R01 - 6	FF5-7829-000	R40 - 34
FB3-9196-020	R40 - 12	FB4-4937-000	R01 - 2	FF5-7830-000	R40 - 35
FB3-9206-000	R40 - 13	FB4-4938-000	R01 - 7	FF6-0315-000	R01 - 10
FB3-9207-030	R40 - 14	FB4-4939-000	R01 - 14	FG3-1712-000	R11 - 13
FB3-9214-000	R40 - 15	FB4-6227-000	R40 - 2	FG3-3213-000	R11 - 17
FB3-9216-000	R40 - 16	FB4-9705-000	R30 - 14	FG3-3214-000	R11 - 18
FB3-9217-000	R40 - 17	FB4-9706-000	R30 - 13	FG5-9288-000	R10 - 7
FB3-9235-000	R30 - 5	FB4-9713-000	R30 - 45	FG6-1641-000	R40 - 36
FB3-9237-000	R30 - 6	FB5-0553-000	R30 - 1	FG6-1642-000	R30 - 29
FB3-9238-000	R30 - 7	FB5-5422-000	R11 - 6	FG6-1646-000	R11 - 16
FB3-9240-000	R30 - 8	FB5-5430-020	R01 - 13	FG6-2528-000	R11 - 14
FB3-9241-000	R30 - 9	FB5-7009-000	R30 - 42	FG6-2529-000	R11 - 15
FB3-9242-000	R30 - 10	FB6-0775-000	R40 - 26	FG6-2531-000	R30 - 31
FB3-9243-000	R30 - 11	FB6-3900-000	R10 - 4	FG6-2534-000	R30 - 30
FB3-9244-000	R30 - 12	FB6-3901-000	R10 - 5	FG6-9259-000	R40 - 5
FB3-9260-000	R11 - 3	FB6-3904-000	R10 - 10	FG6-9637-030	R30 -
FB3-9261-000	R11 - 4	FB6-3905-000	R10 - 3	FH6-1915-000	R11 - 19
FB3-9289-000	R40 - 18	FB6-3907-000	R11 - 2	FH7-1791-020	R30 - 32
FB3-9290-000	R11 - 5	FB6-3910-000	R11 - 9	FH7-5826-000	R40 - 37
FB3-9711-000	R10 - 12	FB6-3915-000	R10 - 6	FH7-5827-000	R40 - 38
FB3-9713-000	R40 - 19	FB6-4854-000	R30 - 3	FH7-5828-000	R11 - 20
FB3-9714-000	R30 - 15	FC5-0500-000	R10 - 13	FH7-7312-000	R30 - 33
FB3-9720-000	R30 - 16	FC5-0507-000	R01 - 18	FH7-7312-000	R40 - 39
FB3-9723-000	R30 - 17	FC5-0509-000	R01 - 17	FH7-7462-000	R11 - 21
FB3-9742-000	R30 - 19	FC5-0551-000	R01 - 20	FL2-0156-000	R01 - 8
FB3-9749-000	R10 - 11	FC5-0552-000	R10 - 14	FL2-0157-000	R01 - 9
FB3-9752-000	R40 - 20	FC5-0553-000	R01 - 4	FL2-1265-000	R11 - 12
FB4-2007-000	R40 - 21	FC5-0555-000	R01 - 16	FM2-1381-000	R10 - 9
FB4-2013-000	R40 - 22	FC5-6146-000	R10 - 1	FM2-1384-000	R40 -
FB4-4867-000	R01 - 1	FF5-5282-030	R30 - 24	FS1-1189-000	R11 - 23
FB4-4868-000	R40 - 23	FF5-6137-000	R40 - 61	FS1-1189-000	R40 - 58
FB4-4873-000	R30 - 20	FF5-6148-000	R30 - 25	FS1-1512-000	R40 - 40

NUMERICAL INDEX

Paper Deck-Q1

PARTS NUMBER	FIGURE & KEY NO.	PARTS NUMBER	FIGURE & KEY NO.	PARTS NUMBER	FIGURE & KEY NO
FS1-1569-000	R40 - 41	NPN	RB - J23	VS1-6320-014	RB - J15
FS1-9002-000	R01 - 12	NPN	RB - J24	VS1-6321-002	RB - J16
FS1-9009-020	R11 - 24	NPN	RB - J26	VS1-6321-002	RB - J18
FS2-0450-000	R30 - 34	NPN	RB - J27	VS1-6321-002	RB - J21
FS2-0484-000	R40 - 42	NPN	RB - J28	VS1-6321-002	RB - J28
FS2-0544-000	R11 - 25	NPN	RB - J29	VS1-6321-003	RB - J11
FS2-0545-000	R11 - 27	NPN	RB - J30	VS1-6321-003	RB - J12
FS2-9343-000	R11 - 26	NPN	RB - J31	VS1-6321-003	RB - J13
FS5-0338-000	R40 - 43	NPN	RB - J733	VS1-6321-003	RB - J14
FS5-2291-000	R40 - 44	PCB	RB - J1	VS1-6321-003	RB - J17
FS5-2885-000	R40 - 45	PCB	RB - J3	VS1-6321-003	RB - J23
FS5-3333-000	R40 - 46	PCB	RB - J20	VS1-6321-003	RB - J24
FS5-7441-000	R40 - 50	PCB	RB - J733	VS1-6321-003	RB - J25
FS5-7442-000	R40 - 57	PCB	RB - J734	VS1-6321-003	RB - J29
FS5-8618-000	R30 - 35	PCB	RB - J735	VS1-6321-003	RB - J30
FS6-0053-020	R40 - 47	PCB	RB - J736	VS1-6321-004	RB - J19
FS6-0091-000	R40 - 48	PCB	RB - J737	VS1-6321-004	RB - J20
FS6-0722-000	R30 - 36	RH2-5283-000	RB - J26	VS1-6321-010	RB - J10
FS6-0907-000	R40 - 49	RH2-5283-000	RB - J31	VS1-6321-014	RB - J15
FS6-0909-000	R30 - 37	SYS	RB - J7050	VS1-6372-010	RB - J22
FS6-2593-000	R11 - 28	SYS	RB - J7050	VS1-6373-010	RB - J22
FS6-2673-000	R30 - 38	VS1-0279-002	RB - J27	VS1-6741-002	RB - J3
FS6-2674-000	R11 - 29	VS1-5057-002	R11 - 32	VS1-6741-006	RB - J7050
FS6-2675-000	R40 - 51	VS1-5057-002	R40 - 65	VS1-6741-008	RB - J1
FS6-2676-000	R11 - 30	VS1-5057-002	RB - J16	VS1-6741-008	RB - J7050
FS6-2678-000	R40 - 52	VS1-5057-002	RB - J18	VT2-0002-003	R11 - 22
FS6-2895-000	R40 - 53	VS1-5057-002	RB - J21	VT2-5161-026	RB - J736
FS6-2897-000	R01 - 11	VS1-5057-002	RB - J28	WC4-0153-000	R30 - 39
FS7-0801-000	R11 - 33	VS1-5057-003	R30 - 18	WC4-5153-000	R11 - 34
FS7-0802-000	R11 - 31	VS1-5057-003	RB - J25	WS3-0437-000	RB - J27
FS7-8327-000	R10 - 2	VS1-5057-004	R11 - 38	WS3-5419-000	RB - J26
FU5-2061-000	R40 - 64	VS1-5057-004	RB - J19	WS3-5419-000	RB - J31
NPN	R01 -	VS1-5057-010	R11 - 39	WS3-5569-000	RB - J22
NPN	R10 -	VS1-5057-010	RB - J10	WS3-5569-000	RB - J734
NPN	R11 -	VS1-5057-014	R11 - 36	WS3-5569-000	RB - J735
NPN	RB -	VS1-5057-014	RB - J15	WS3-5598-000	RB - J22
NPN	RB - J11	VS1-6302-002	RB - J8	WS3-5680-000	RB - J8
NPN	RB - J12	VS1-6302-003	RB - J734	WS3-5729-000	RB - J1
NPN	RB - J13	VS1-6302-010	RB - J735	WS3-5729-000	RB - J3
NPN	RB - J14	VS1-6313-013	RB - J736	WS3-5729-000	RB - J7050
NPN	RB - J16	VS1-6314-008	RB - J737	WS3-5816-000	RB - J7050
NPN	RB - J17	VS1-6314-013	RB - J736	WS3-5847-000	RB - J7050
NPN	RB - J18	VS1-6320-004	RB - J19	X62-6825-000	R11 - 35
NPN	RB - J21	VS1-6320-010	RB - J10	XA9-0716-000	R01 - 22

NUMERICAL INDEX

Paper Deck-Q1

PARTS NUMBER	FIGURE & KEY NO.	PARTS NUMBER	FIGURE & KEY NO.	PARTS NUMBER	FIGURE & KEY NO.
XA9-0721-000	R30 - 40	XG9-0242-000	R40 - 56		
XA9-0732-000	R01 - 15	XG9-0250-000	R30 - 44		
XA9-0732-000	R10 - 15	XZ9-0494-000	R01 - 19		
XA9-0732-000	R11 - 37				
XA9-0732-000	R30 - 41				
XA9-0732-000	R40 - 54				
XA9-0780-000	R10 - 8				
XA9-1031-000	R01 - 21				
XB1-2231-009	R11 - 501				
XB1-2231-009	R30 - 501				
XB1-2300-409	R40 - 501				
XB1-2300-806	R10 - 502				
XB1-2400-609	R01 - 501				
XB1-2400-609	R11 - 502				
XB1-2400-609	R30 - 502				
XB1-2400-609	R30 - 503				
XB1-2400-609	R40 - 502				
XB1-2400-806	R11 - 503				
XB4-7400-807	R10 - 503				
XB6-2400-808	R30 - 504				
XB6-7300-409	R11 - 505				
XB6-7400-609	R30 - 505				
XB6-7400-809	R30 - 506				
XD1-4200-402	R11 - 508				
XD2-1100-242	R30 - 508				
XD2-1100-242	R40 - 503				
XD2-1100-372	R40 - 504				
XD2-1100-402	R11 - 509				
XD2-1100-402	R40 - 505				
XD2-1100-502	R11 - 504				
XD2-1100-502	R30 - 509				
XD2-1100-502	R40 - 506				
XD2-1100-642	R11 - 506				
XD2-1100-642	R30 - 510				
XD2-1100-642	R40 - 507				
XD2-2300-402	R10 - 501				
XD3-1300-082	R40 - 510				
XD3-1300-102	R11 - 507				
XD3-2200-102	R40 - 508				
XD3-2200-122	R30 - 511				
XD3-2200-142	R40 - 509				
XD3-2200-182	R30 - 507				
XF9-0525-000	R40 - 55				
XG3-6012-405	R30 - 43				

Paper Deck-Q1

**F26-3701-000JFF00001-
F26-3711-000JFG00001-**

Contents

RA	ASSEMBLY LOCATION DIAGRAM	2-1
R01	MOUNTING HARDWARE	2-2
R10	EXTERNAL COVERS, PANELS, ETC.	2-4
R11	INTERNAL COMPONENTS	2-6
R30	PAPER STOCK ASSEMBLY	2-9
R40	PAPER PICK-UP ASSEMBLY	2-12
RB	LIST OF CONNECTORS	2-16

FIGURE RA ASSEMBLY LOCATION DIAGRAM

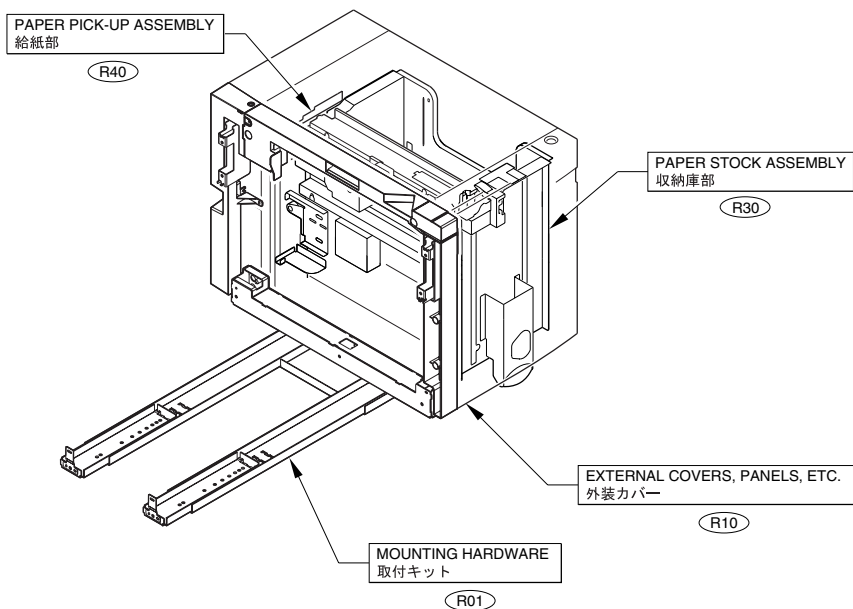


FIGURE R01
MOUNTING HARDWARE

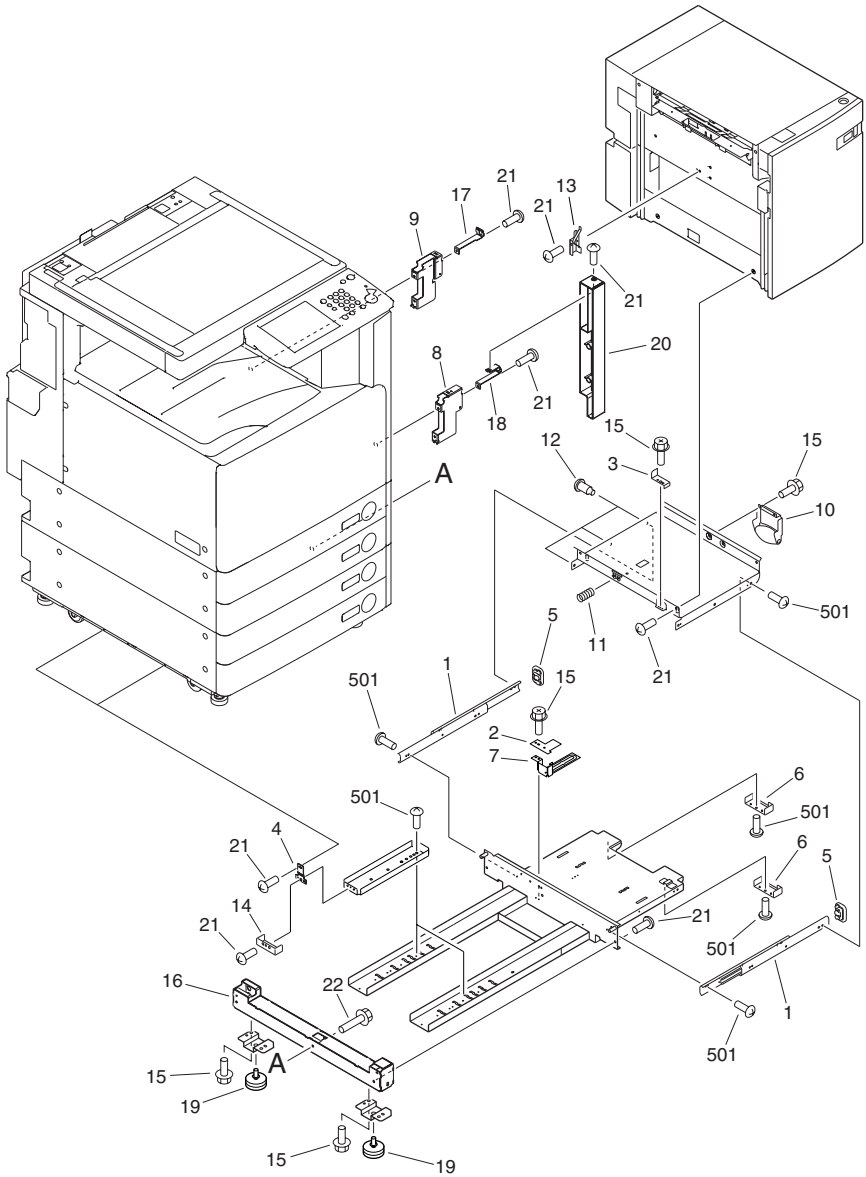


FIGURE & KEY NO.	PARTS NUMBER	R A N K	Q'TY	DESCRIPTION	SERIAL NUMBER/ REMARKS	S V C
Fig.R01	NPN		RF	MOUNTING HARDWARE		
1	FB4-4867-000		2	RAIL, FRAME SLIDE		
2	FB4-4937-000		1	FLAG, SLIDE, UPPER		
3	FB4-4919-000		1	PLATE, DECK STOPPER		
4	FC5-0553-000		2	PLATE, FIXING		
5	FB4-4932-000		2	CAP, RAIL		
6	FB4-4933-000		2	COVER, BOTTOM CROSSMEMBER		
7	FB4-4938-000		1	FLAG, SLIDE, LOWER		
8	FL2-0156-000		1	PLATE, LATCH, FRONT 2		
9	FL2-0157-000		1	PLATE, LATCH, REAR 2		
10	FF6-0315-000		1	SUPPORT, ROLLER		
11	FS6-2897-000		1	SPRING, COMPRESSION		
12	FS1-9002-000		3	SCREW, STEPPED, M4X5		
13	FB5-5430-020		1	PLATE, SLOPE GUIDE		
14	FB4-4939-000		2	COVER, BOTTOM CROSSMEMBER, 2		
15	XA9-0732-000		8	SCREW, RS, M4X8		
16	FC5-0555-000		1	CROSSMEMBER, CONNECT		
17	FC5-0509-000		1	PLATE, LATCH, REAR 1		
18	FC5-0507-000		1	PLATE, LATCH, FRONT 1		
19	XZ9-0494-000		2	ADJUSTER		
20	FC5-0551-000		1	PANEL, CONNECT, FRONT		
21	XA9-1031-000		17	SCREW, MACH., TRUSS HEAD, M4X8		
22	XA9-0716-000		5	SCREW, RS, M4X33		
501	XB1-2400-609		AR	SCREW, MACH., TRUSS HEAD, M4X6		

FIGURE R10
EXTERNAL COVERS, PANELS, ETC.

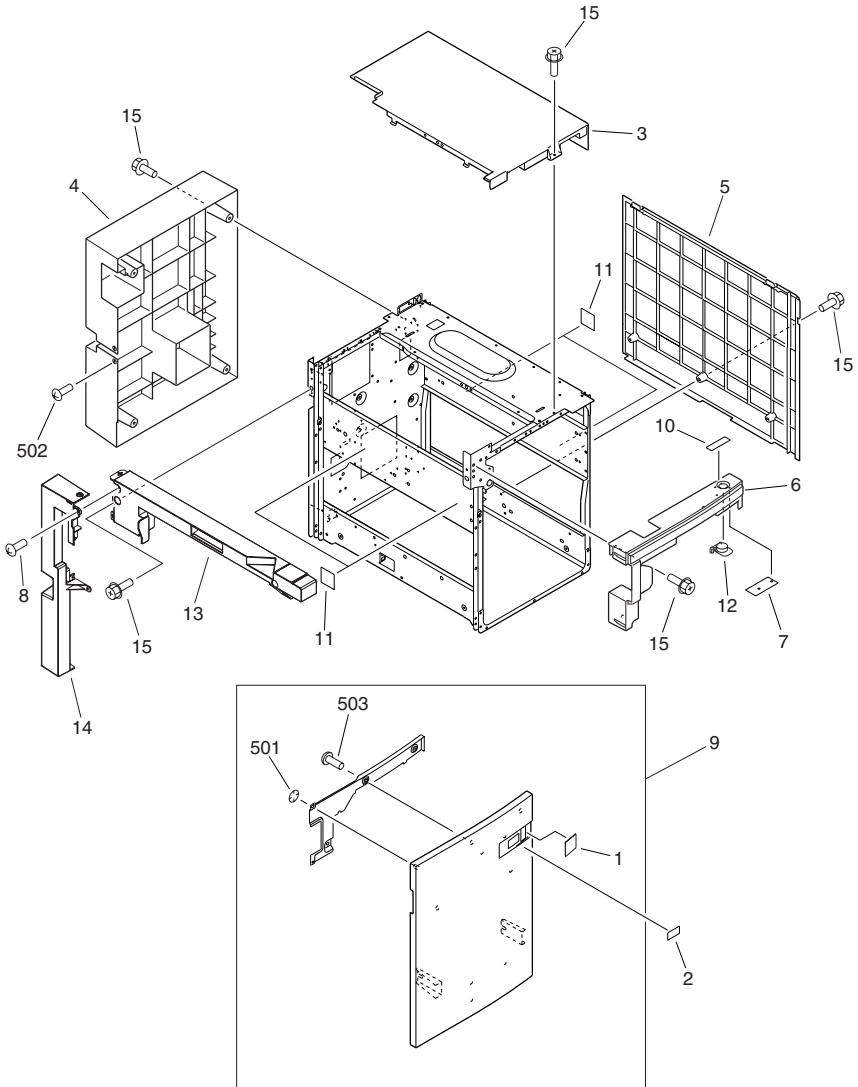


FIGURE & KEY NO.	PARTS NUMBER	R A N K	Q'TY	DESCRIPTION	SERIAL NUMBER/ REMARKS	S V C
Fig.R10	NPN		RF	EXTERNAL COVERS, PANELS, ETC.		
1	FC5-6146-000		1	COVER, SHIELD, FRONT		
2	FS7-8327-000		1	LABEL, PAPER SIZE		
3	FB6-3905-000		1	PANEL, UPPER		
4	FB6-3900-000		1	PANEL, REAR		
5	FB6-3901-000		1	PANEL, RIGHT		
6	FB6-3915-000		1	COVER, SWITCH		
7	FG5-9288-000		1	SWITCH PCB ASSEMBLY		
8	XA9-0780-000		2	SCREW,P,M4X12		
9	FM2-1381-000		1	PANEL, FRONT		
10	FB6-3904-000		1	LABEL, 'DECK OPEN'		
11	FB3-9749-000		4	LABEL, 'HANDLE'		
12	FB3-9711-000		1	BUTTON, RELEASE		
13	FC5-0500-000		1	PANEL, CONNECT, UPPER		
14	FC5-0552-000		1	PANEL, CONNECT, REAR		
15	XA9-0732-000		42	SCREW,RS,M4X8		
501	XD2-2300-402		AR	RING,TOOTHED LOCK		
502	XB1-2300-806		AR	SCREW,MACH.,TRUSS HEAD,M3X8		
503	XB4-7400-807		AR	SCREW,TAPPING,TRUSS HEAD,M4X8		

FIGURE R11 INTERNAL COMPONENTS

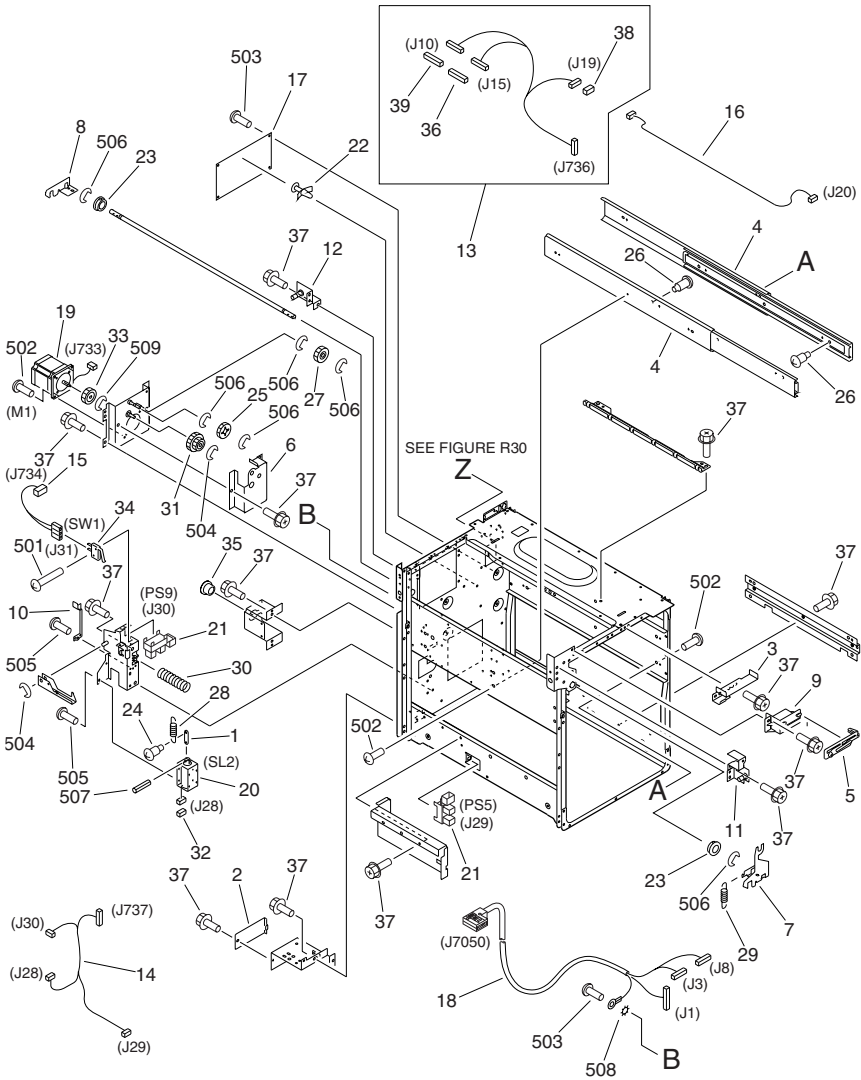
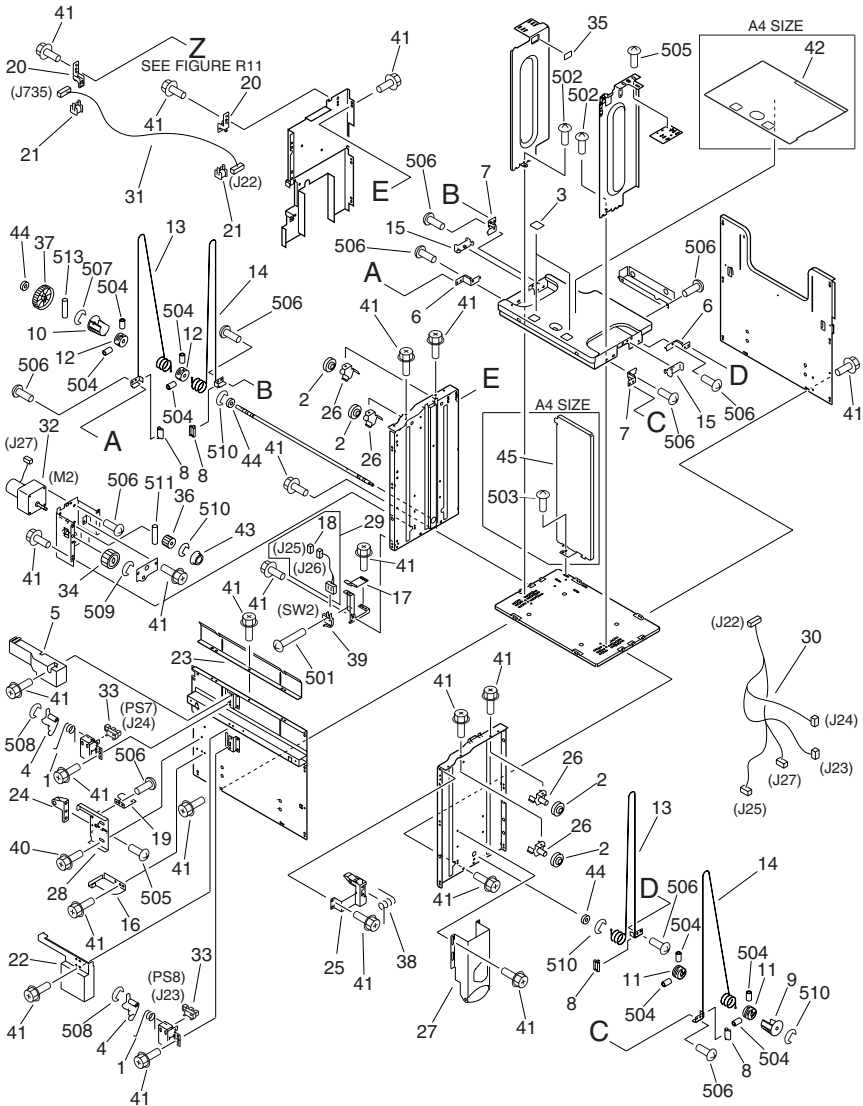


FIGURE & KEY NO.	PARTS NUMBER	R A N K	Q'TY	DESCRIPTION	SERIAL NUMBER/ REMARKS	S V C
Fig.R11	NPN		RF	INTERNAL COMPONENTS		
1	FA6-7751-000		1	ARM, LOCK		
2	FB6-3907-000		1	COVER, CONNECTOR		
3	FB3-9260-000		1	PLATE, CAM RELEASE		
4	FB3-9261-000		2	RAIL, SLIDE		
5	FB3-9290-000		1	LINK, RELEASE LEVER		
6	FB5-5422-000		1	COVER, GEAR		
7	FB4-4877-000		1	HOOK, FRONT		
8	FB4-4878-000		1	HOOK, REAR		
9	FB6-3910-000		1	COVER, RELEASE LEVER		
10	FB4-4929-000		1	SPRING, LEAF		
11	FF5-7535-000		1	PIN, DECK, FRONT		
12	FL2-1265-000		1	PIN, DECK POSITIONING, REAR		
13	FG3-1712-000		1	CABLE, FRAME, 1	J10,15,19,736	
14	FG6-2528-000		1	CABLE, FRAME, 2	J28,29,30,737	
15	FG6-2529-000		1	CABLE, PAPER STOCK SWITCH	J31,734	
16	FG6-1646-000		1	CABLE, LED SWITCH	J19,20	
17	FG3-3213-000		1	DECK DRIVER PCB ASSEMBLY		
18	FG3-3214-000		1	CABLE, INTERFACE	J1,3,8,7050	
19	FH6-1915-000		1	MOTOR, STEPPING	M1 J733	
20	FH7-5828-000		1	SOLENOID, DC24V	SL2 J28	
21	FH7-7462-000		2	PHOTO-INTERRUPTER	PS5,9 J29,30	
22	VT2-0002-003		1	SPACER, SUPPORT		
23	FS1-1189-000		2	BUSHING		
24	FS1-9009-020		1	SCREW,STEPPED,M3		
25	FS2-0544-000		1	GEAR, 24T		
26	FS2-9343-000		4	SCREW,STEPPED,M4		
27	FS2-0545-000		1	GEAR, 28T		
28	FS6-2593-000		1	SPRING, TENSION		
29	FS6-2674-000		1	SPRING, TENSION		
30	FS6-2676-000		1	SPRING, COMPRESSION		
31	FS7-0802-000		1	GEAR, 20T/35T		

FIGURE & KEY NO.	PARTS NUMBER	R A N K	Q'TY	DESCRIPTION	SERIAL NUMBER/ REMARKS	S V C
32	VS1-5057-002		1	CONNECTOR, SNAP TIGHT	J28	
33	FS7-0801-000		1	GEAR, 24T		
34	WC4-5153-000		1	MICRO SWITCH	SW1 J31	
35	X62-6825-000		1	BUSHING		
36	VS1-5057-014		1	CONNECTOR, SNAP TIGHT	J15	
37	XA9-0732-000		18	SCREW,RS,M4X8		
38	VS1-5057-004		1	CONNECTOR, SNAP TIGHT	J19	
39	VS1-5057-010		1	CONNECTOR, SNAP TIGHT	J10	
501	XB1-2231-009		AR	SCREW,MACH.,TRUSS HEAD,M2.3X10		
502	XB1-2400-609		AR	SCREW,MACH.,TRUSS HEAD,M4X6		
503	XB1-2400-806		AR	SCREW,MACH.,TRUSS HEAD,M4X8		
504	XD2-1100-502		AR	RING,E		
505	XB6-7300-409		AR	SCREW,TP,M3X4		
506	XD2-1100-642		AR	RING,E		
507	XD3-1300-102		AR	PIN,SPRING		
508	XD1-4200-402		AR	WASHER,TOOTHED LOCK		
509	XD2-1100-402		AR	RING,E		

FIGURE R30 PAPER STOCK ASSEMBLY

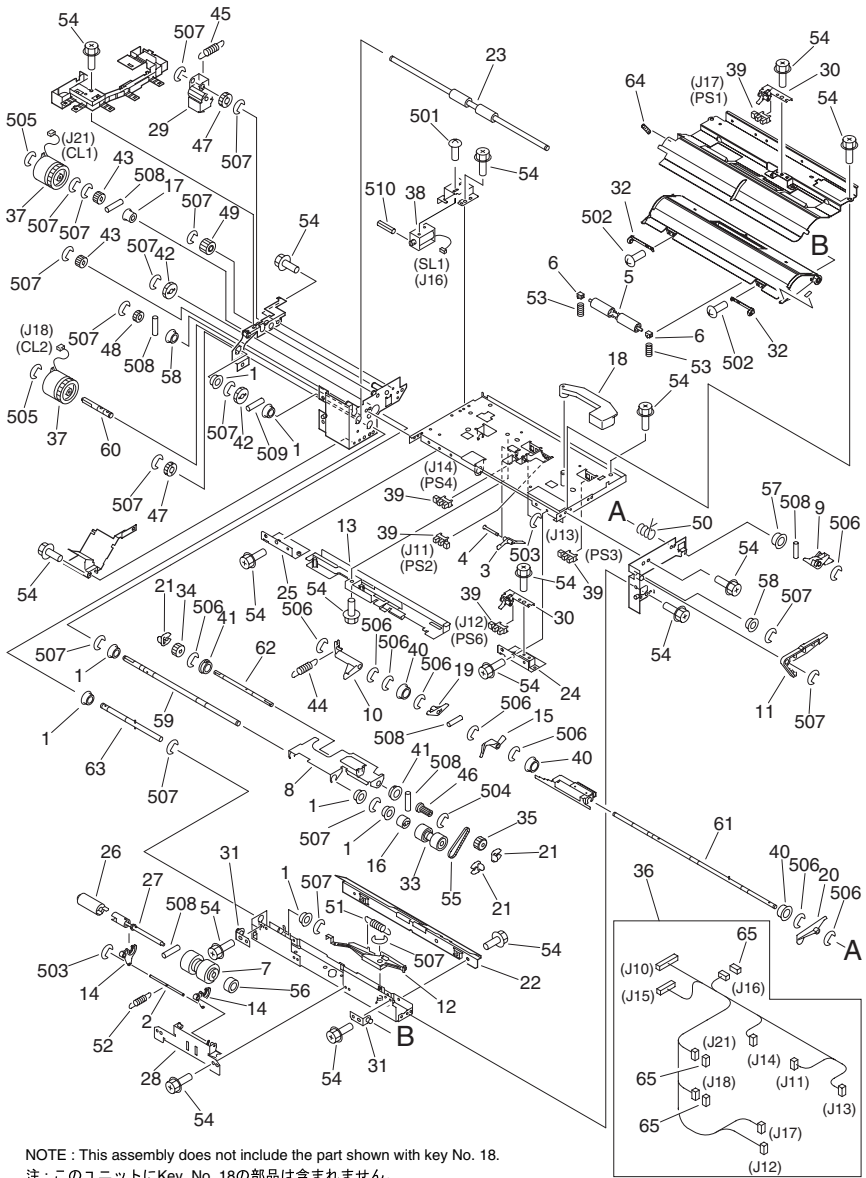


NOTE: This assembly does not include the parts shown with key No. 16, 27, 45, 46 and 503.
 注：このユニットにKey No.16, 27, 45, 46, 503の部品は含まれません。

FIGURE & KEY NO.	PARTS NUMBER	R A N K	Q'TY	DESCRIPTION	SERIAL NUMBER/ REMARKS	S V C
Fig.R30	FG6-9637-030		1	PAPER STOCK ASSEMBLY		
1	FB5-0553-000		2	SPRING, TORSION		
2	FA6-8257-000		4	PULLEY		
3	FB6-4854-000		2	SHEET, SEPARATION		
4	FB2-9248-000		2	ARM, PAPER SENSOR		
5	FB3-9235-000		1	COVER, SENSOR		
6	FB3-9237-000		2	PLATE, WIRE STOP, RIGHT		
7	FB3-9238-000		2	PLATE, WIRE STOP, LEFT		
8	FB3-9240-000		4	BLOCK, WIRE GUIDE		
9	FB3-9241-000		1	GUIDE, PULLEY, FRONT		
10	FB3-9242-000		1	GUIDE, PULLEY, REAR		
11	FB3-9243-000		2	PULLEY, DRIVE, FRONT		
12	FB3-9244-000		2	PULLEY, DRIVE, REAR		
13	FB4-9706-000		2	WIRE, DRIVE, RIGHT		
14	FB4-9705-000		2	WIRE, DRIVE, LEFT		
15	FB3-9714-000		2	BLOCK, LIFTER PLATE SLIDE		
16	FB3-9720-000		1	PLATE, PAPER STOCK STOP	SEE NOTE	
17	FB3-9723-000		1	SPRING, LEAF		
18	VS1-5057-003		1	CONNECTOR, SNAP TIGHT	J25	
19	FB3-9742-000		1	FLAG, PAPER STOCK SENSOR		
20	FB4-4873-000		2	CLAMP, CORD, UPPER		
21	FB4-4874-000		2	CLAMP, CORD, LOWER		
22	FB4-4882-000		1	COVER, SENSOR, LOWER		
23	FB4-4928-000		1	PLATE, SEPARATION		
24	FF5-5282-030		1	HOLDER, LATCH		
25	FF5-6148-000		1	LEVER, RELEASE		
26	FF5-6160-000		4	MOUNT, PULLEY		
27	FF5-6161-000		1	MOUNT, ROLLER	SEE NOTE	
28	FF5-6171-000		1	PLATE, LOCK		
29	FG6-1642-000		1	CABLE, SWITCH	J25,26	
30	FG6-2534-000		1	CABLE, PAPER STOCK	J22-25,27	
31	FG6-2531-000		1	CABLE, PAPER STOCK CONNECTING	J22,735	

FIGURE & KEY NO.	PARTS NUMBER	RANK	Q'TY	DESCRIPTION	SERIAL NUMBER/REMARKS	SVC
32	FH7-1791-020		1	MOTOR, DC24V	M2 J27	
33	FH7-7312-000		2	PHOTO-INTERRUPTER	PS7,8 J24,23	
34	FS2-0450-000		1	GEAR, 32T		
35	FS5-8618-000		1	LABEL, 'MAXIMUM LOAD'		
36	FS6-0722-000		1	GEAR, 19T		
37	FS6-0909-000		1	GEAR, 58T		
38	FS6-2673-000		1	SPRING, TORSION		
39	WC4-0153-000		1	MICROSWITCH	SW2 J26	
40	XA9-0721-000		2	SCREW,RS,M4X10		
41	XA9-0732-000		49	SCREW,RS,M4X8		
42	FB5-7009-000		1	SHEET, DECK	SEE NOTE A4 SIZE	
43	XG3-6012-405		1	BALL BEARING, NSK MF126ZZ		
44	XG9-0250-000		3	BEARING, BALL		
45	FB4-9713-000		1	PLATE, END LIMIT	SEE NOTE A4 SIZE	
501	XB1-2231-009		AR	SCREW,MACH.,TRUSS HEAD,M2.3X10		
502	XB1-2400-609		AR	SCREW,MACH.,TRUSS HEAD,M4X6		
503	XB1-2400-609		AR	SCREW,MACH.,TRUSS HEAD,M4X6	SEE NOTE A4 SIZE	
504	XB6-2400-808		AR	SETSCREW,M4X8		
505	XB6-7400-609		AR	SCREW,TP,M4X6		
506	XB6-7400-809		AR	SCREW,TP,M4X8		
507	XD3-2200-182		AR	PIN,DOWEL		
508	XD2-1100-242		AR	RING,E		
509	XD2-1100-502		AR	RING,E		
510	XD2-1100-642		AR	RING,E		
511	XD3-2200-122		AR	PIN,DOWEL		

FIGURE R40 PAPER PICK-UP ASSEMBLY



NOTE : This assembly does not include the part shown with key No. 18.
 注 : このユニットにKey No. 18の部品は含まれません。

FIGURE & KEY NO.	PARTS NUMBER	R A N K	Q'TY	DESCRIPTION	SERIAL NUMBER/ REMARKS	S V C
Fig.R40	FM2-1384-000		1	PAPER PICK-UP ASSEMBLY		
1	FA9-2112-000		7	BUSHING		
2	FB4-6227-000		1	SHAFT, COUNTER		
3	FB2-7720-000		1	LEVER, PAPER		
4	FB2-7721-000		1	SHAFT, LEVER		
5	FG6-9259-000		1	ROLLER		
6	FB2-7755-000		2	BUSHING		
7	FB2-7777-020		1	ROLLER, SEPARATION		
8	FB3-9188-020		1	PLATE, PAPER PICK-UP		
9	FB3-9192-020		1	CAM, FRONT		
10	FB3-9193-020		1	ARM, SOLENOID		
11	FB3-9195-020		1	ARM, SEPARATION RELEASE		
12	FB3-9196-020		1	LEVER, SEPARATION RELEASE		
13	FB3-9206-000		1	COVER, SENSOR		
14	FB3-9207-030		2	ARM, SEPARATION ROLLER		
15	FB3-9214-000		1	FLAG, PAPER SENSOR		
16	FB3-9216-000		1	CLUTCH, ONE-WAY, 1		
17	FB3-9217-000		1	CLUTCH, ONE-WAY, 2		
18	FB3-9289-000		1	LEVER, RELEASE	SEE NOTE	
19	FB3-9713-000		1	LEVER, PAPER PICK-UP		
20	FB3-9752-000		1	LEVER, LIMITER		
21	FB4-2007-000		3	RING, RETAINING		
22	FB4-2013-000		1	GUIDE, PICK-UP INLET		
23	FB4-4868-000		1	ROLLER, PAPER FEED		
24	FB4-4898-000		1	PLATE, PAPER FEED GUIDE, FRONT		
25	FB4-4899-000		1	PLATE, PAPER FEED GUIDE, REAR		
26	FB6-0775-000		1	TORQUE, LIMITER		
27	FF5-6338-000		1	SHAFT, SEPARATION		
28	FF5-6157-020		1	MOUNT, SEPARATION ROLLER		
29	FF5-7529-000		1	SWING GEAR, 20T		
30	FF5-7530-000		1	MOUNT, VERT. PATH SENSOR FLAG		
31	FF5-7532-000		2	SUPPORT, GUIDE, LOWER		

FIGURE & KEY NO.	PARTS NUMBER	R A N K	Q'TY	DESCRIPTION	SERIAL NUMBER/ REMARKS	S V C
32	FF5-7539-000		2	SUPPORT, ROLLER		
33	FF5-7541-000		1	ROLLER, PAPER FEED		
34	FF5-7829-000		1	ROLLER, PAPER PICK-UP, 1		
35	FF5-7830-000		1	ROLLER, PAPER PICK-UP, 2		
36	FG6-1641-000		1	CABLE, PAPER PICK-UP	J10-18,21	
37	FH7-5826-000		2	CLUTCH, ELECTROMAGNETIC	CL1,2 J21,18	
38	FH7-5827-000		1	SOLENOID	SL1 J16	
39	FH7-7312-000		5	PHOTO-INTERRUPTER	PS1-4,6 J17,11,13,14,12	
40	FS1-1512-000		3	BUSHING		
41	FS1-1569-000		2	BUSHING		
42	FS2-0484-000		2	GEAR, 25T		
43	FS5-0338-000		2	GEAR, 16T		
44	FS5-2291-000		1	SPRING, TENSION		
45	FS5-2885-000		1	SPRING, TENSION		
46	FS5-3333-000		1	PULLEY, 16T		
47	FS6-0053-020		2	GEAR, 20T		
48	FS6-0091-000		1	GEAR, 16T		
49	FS6-0907-000		1	GEAR, 20T		
50	FS5-7441-000		1	SPRING, TORSION		
51	FS6-2675-000		1	SPRING, TENSION		
52	FS6-2678-000		1	SPRING, TENSION		
53	FS6-2895-000		2	SPRING, COMPRESSION		
54	XA9-0732-000		27	SCREW,RS,M4X8		
55	XF9-0525-000		1	BELT, TIMING, 59T		
56	XG9-0242-000		1	BEARING, BALL		
57	FS5-7442-000		1	BUSHING		
58	FS1-1189-000		2	BUSHING		
59	FB4-4887-000		1	SHAFT, PAPER FEEDER		
60	FB4-4894-000		1	SHAFT, CLUTCH		
61	FF5-6137-000		1	SHAFT, PAPER PICK-UP		
62	FB2-7702-000		1	SHAFT, PICK-UP		
63	FF5-7540-000		1	SHAFT, SEPARATION DRIVE		

FIGURE & KEY NO.	PARTS NUMBER	R A N K	Q'TY	DESCRIPTION	SERIAL NUMBER/ REMARKS	S V C
64	FU5-2061-000		1	SPRING, TENSION		
65	VS1-5057-002		3	CONNECTOR, SNAP TIGHT	J16,18,21	
501	XB1-2300-409		AR	SCREW,MACH.,TRUSS HEAD,M3X4		
502	XB1-2400-609		AR	SCREW,MACH.,TRUSS HEAD,M4X6		
503	XD2-1100-242		AR	RING,E		
504	XD2-1100-372		AR	RING,E		
505	XD2-1100-402		AR	RING,E		
506	XD2-1100-502		AR	RING,E		
507	XD2-1100-642		AR	RING,E		
508	XD3-2200-102		AR	PIN,DOWEL		
509	XD3-2200-142		AR	PIN,DOWEL		
510	XD3-1300-082		AR	PIN,SPRING		

FIGURE RB LIST OF CONNECTORS

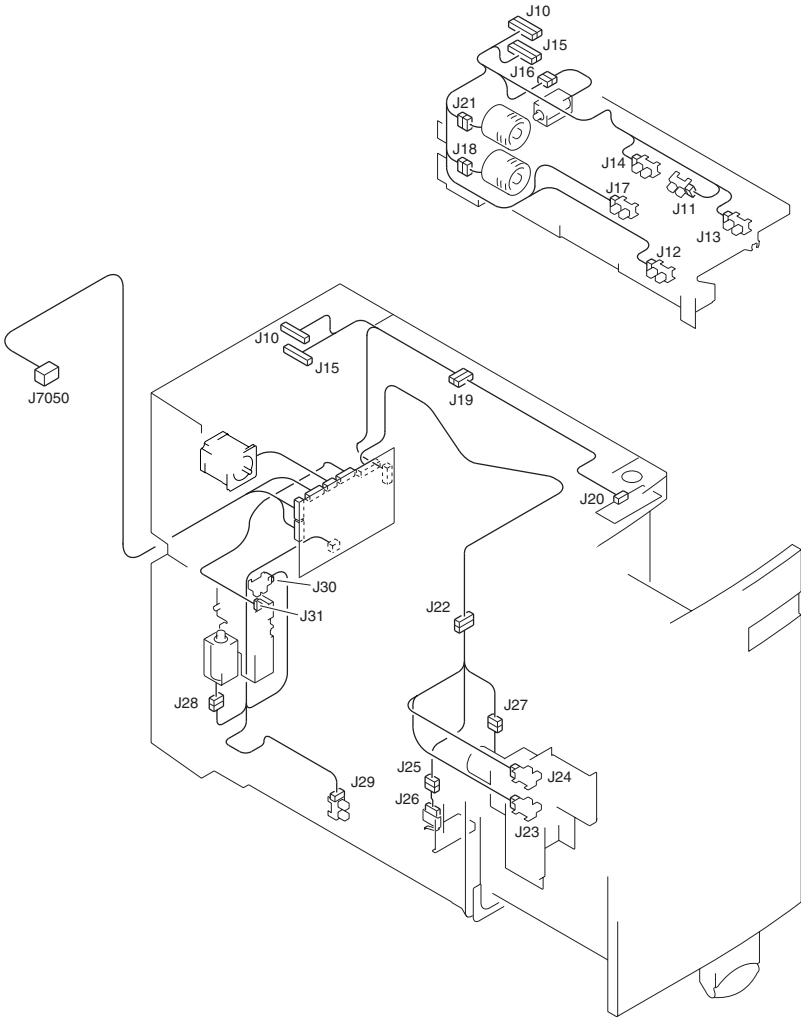


FIGURE & KEY NO.	PARTS NUMBER	R A N K	Q'TY	DESCRIPTION	SERIAL NUMBER/ REMARKS	S V C
Fig.RB	NPN		RF	LIST OF CONNECTORS		
J1	PCB			SIDE DECK DRIVER		
J1	VS1-6741-008		1	CONNECTOR, 8P, FEMALE		
J1	WS3-5729-000		8	SOCKET CONTACT, 24-28AWG		
J3	PCB			SIDE DECK DRIVER		
J3	VS1-6741-002		1	CONNECTOR, 2P, FEMALE		
J3	WS3-5729-000		2	SOCKET CONTACT, 24-28AWG		
J8	VS1-6302-002		1	CONNECTOR, 2P, MALE		
J8	WS3-5680-000		2	SOCKET CONTACT, 20-24AWG		
J10	VS1-5057-010		1	CONNECTOR, SNAP TIGHT		
J10	VS1-6320-010		1	CONNECTOR, 10P, FEMALE		
J10	VS1-6321-010		1	CONNECTOR, 10P, FEMALE		
J11	NPN			DECK PAPER EMPTY SENSOR	PS2	
J11	VS1-6321-003		1	CONNECTOR, 3P, FEMALE		
J12	NPN			DECK PAPER FEED SENSOR	PS6	
J12	VS1-6321-003		1	CONNECTOR, 3P, FEMALE		
J13	NPN			DECK LIFTER UPPER LIMIT SENSOR	PS3	
J13	VS1-6321-003		1	CONNECTOR, 3P, FEMALE		
J14	NPN			DECK LIFTER POSITION SENSOR	PS4	
J14	VS1-6321-003		1	CONNECTOR, 3P, FEMALE		
J15	VS1-5057-014		1	CONNECTOR, SNAP TIGHT		
J15	VS1-6320-014		1	CONNECTOR, 14P, FEMALE		
J15	VS1-6321-014		1	CONNECTOR, 14P, FEMALE		
J16	NPN			DECK ROLLER RELEASE SOLENOID	SL1	
J16	VS1-5057-002		1	CONNECTOR, SNAP TIGHT		
J16	VS1-6321-002		1	CONNECTOR, 2P, FEMALE		
J17	NPN			DECK PAPER PICK-UP SENSOR	PS1	
J17	VS1-6321-003		1	CONNECTOR, 3P, FEMALE		
J18	NPN			DECK PAPER PICK-UP CLUTCH	CL2	
J18	VS1-5057-002		1	CONNECTOR, SNAP TIGHT		
J18	VS1-6321-002		1	CONNECTOR, 2P, FEMALE		
J19	VS1-5057-004		1	CONNECTOR, SNAP TIGHT		

FIGURE & KEY NO.	PARTS NUMBER	RANK	Q'TY	DESCRIPTION	SERIAL NUMBER/REMARKS	SVC
J19	VS1-6320-004		1	CONNECTOR, 4P, FEMALE		
J19	VS1-6321-004		1	CONNECTOR, 4P, FEMALE		
J20	PCB			LED SWITCH		
J20	VS1-6321-004		1	CONNECTOR, 4P, FEMALE		
J21	NPN			DECK PAPER FEED CLUTCH	CL1	
J21	VS1-5057-002		1	CONNECTOR, SNAP TIGHT		
J21	VS1-6321-002		1	CONNECTOR, 2P, FEMALE		
J22	VS1-6372-010		1	CONNECTOR, 10P, FEMALE		
J22	VS1-6373-010		1	CONNECTOR, 10P, FEMALE		
J22	WS3-5569-000		10	PIN, CONTACT		
J22	WS3-5598-000		10	PIN CONTACT		
J23	NPN			DECK PAPER SENSOR	PS8	
J23	VS1-6321-003		1	CONNECTOR, 3P, FEMALE		
J24	NPN			DECK PAPER POSITION SENSOR	PS7	
J24	VS1-6321-003		1	CONNECTOR, 3P, FEMALE		
J25	VS1-5057-003		1	CONNECTOR, SNAP TIGHT		
J25	VS1-6321-003		2	CONNECTOR, 3P, FEMALE		
J26	NPN			DECK LOWER DETECT SWITCH	SW2	
J26	RH2-5283-000		1	CONNECTOR, 2P, FEMALE		
J26	WS3-5419-000		2	SOCKET CONTACT, 22-26AWG		
J27	NPN			DECK LIFTER MOTOR	M2	
J27	VS1-0279-002		1	CONNECTOR, 2P, FEMALE		
J27	WS3-0437-000		2	SOCKET CONTACT, 20-30AWG		
J28	NPN			DECK OPEN SOLENOID	SL2	
J28	VS1-5057-002		1	CONNECTOR, SNAP TIGHT		
J28	VS1-6321-002		1	CONNECTOR, 2P, FEMALE		
J29	NPN			DECK POSITION SENSOR	PS5	
J29	VS1-6321-003		1	CONNECTOR, 3P, FEMALE		
J30	NPN			DECK OPEN SENSOR	PS9	
J30	VS1-6321-003		1	CONNECTOR, 3P, FEMALE		
J31	NPN			DECK OPEN DETECT SWITCH	SW1	
J31	RH2-5283-000		1	CONNECTOR, 2P, FEMALE		

FIGURE & KEY NO.	PARTS NUMBER	RANK	Q'TY	DESCRIPTION	SERIAL NUMBER/REMARKS	SVC
J31	WS3-5419-000		2	SOCKET CONTACT, 22-26AWG	M1	
J733	PCB			SIDE DECK DRIVER		
J733	NPN			DECK MAIN MOTOR		
J734	PCB			SIDE DECK DRIVER		
J734	VS1-6302-003		1	CONNECTOR, 3P, FEMALE		
J734	WS3-5569-000		2	PIN, CONTACT		
J735	PCB			SIDE DECK DRIVER		
J735	VS1-6302-010		1	CONNECTOR, 10P, FEMALE		
J735	WS3-5569-000		10	PIN, CONTACT		
J736	PCB			SIDE DECK DRIVER		
J736	VS1-6313-013		1	CONNECTOR, 13P, FEMALE		
J736	VS1-6314-013		1	CONNECTOR, 13P, FEMALE		
J736	VT2-5161-026		1	HOLDER, CONNECTOR, 26P		
J737	PCB			SIDE DECK DRIVER		
J737	VS1-6314-008		1	CONNECTOR, 8P, FEMALE		
J7050	SYS			COPIER		
J7050	SYS			COPIER		
J7050	WS3-5847-000		1	CONNECTOR, 18P, MALE, W		
J7050	WS3-5816-000		3	CONTACT, PIN, 16-20AWG		
J7050	VS1-6741-006		1	CONNECTOR, 6P, FEMALE		
J7050	WS3-5729-000		10	SOCKET CONTACT, 24-28AWG		
J7050	VS1-6741-008		1	CONNECTOR, 8P, FEMALE		

Prepared by
OFFICE IMAGING PRODUCTS QUALITY ASSURANCE CENTER
CANON INC.

Canon